

**'HD' HEAVY DUTY  
SUPPLEMENT**

# **PRESS BRAKE PRODUCTIVITY CATALOG**





# INTRODUCTION

Our vision is simple but powerful: we live Press Brake Productivity!  
Everything we do is driven by this vision and meant to make the sheet metal industry more productive.

Be it our research and development to engineer new products or our manufacturing process to produce our products, we always have the value and the benefits for the customer in mind.

Always looking for new opportunities, this time we focus on plate and the specific challenges this industry faces. We proudly present the New Standard "HD" Heavy Duty line with a number of features addressing speed, comfort and safety. We trust this innovative product line will make plate industry reach for a productivity level second to none.

## **Hans Willemsen**

Managing Director Wila B.V.







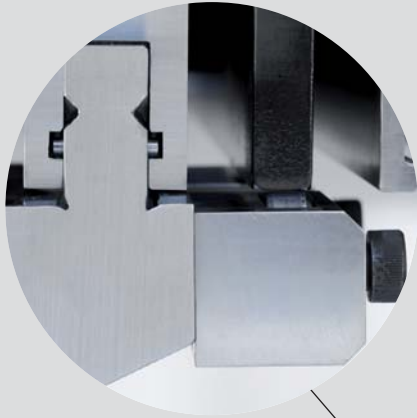
# PRODUCT INDEX

<b>INTRODUCTION</b>	<b>3</b>
<b>NEW STANDARD 'HD' HEAVY DUTY TOOLING SYSTEM</b>	<b>6</b>
<b>NEW STANDARD 'HD' HEAVY DUTY CLAMPING</b>	<b>8</b>
<b>NEW STANDARD 'HD' HEAVY DUTY BOTTOM TOOL HOLDERS AND CROWNING</b>	<b>10</b>
<b>NEW STANDARD TOOLING</b>	<b>13</b>
<b>ACCESSORIES</b>	<b>15</b>

**NEW STANDARD 'HD' HEAVY DUTY TOOLING SYSTEM**

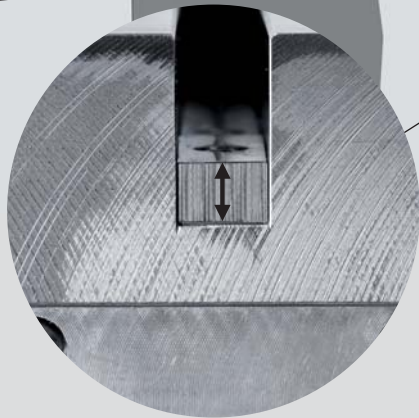
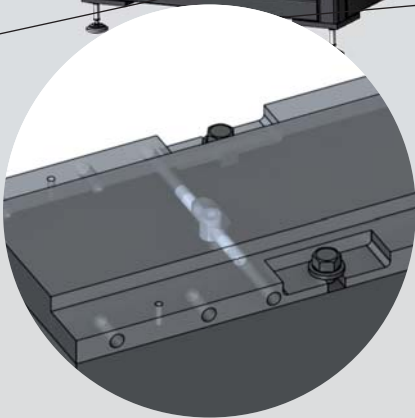
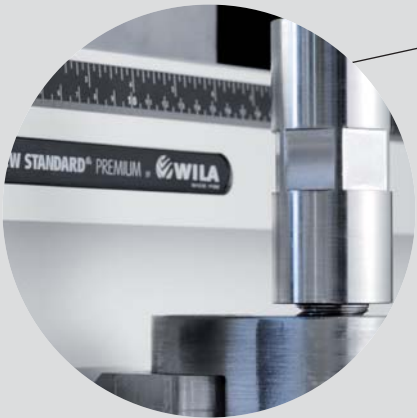
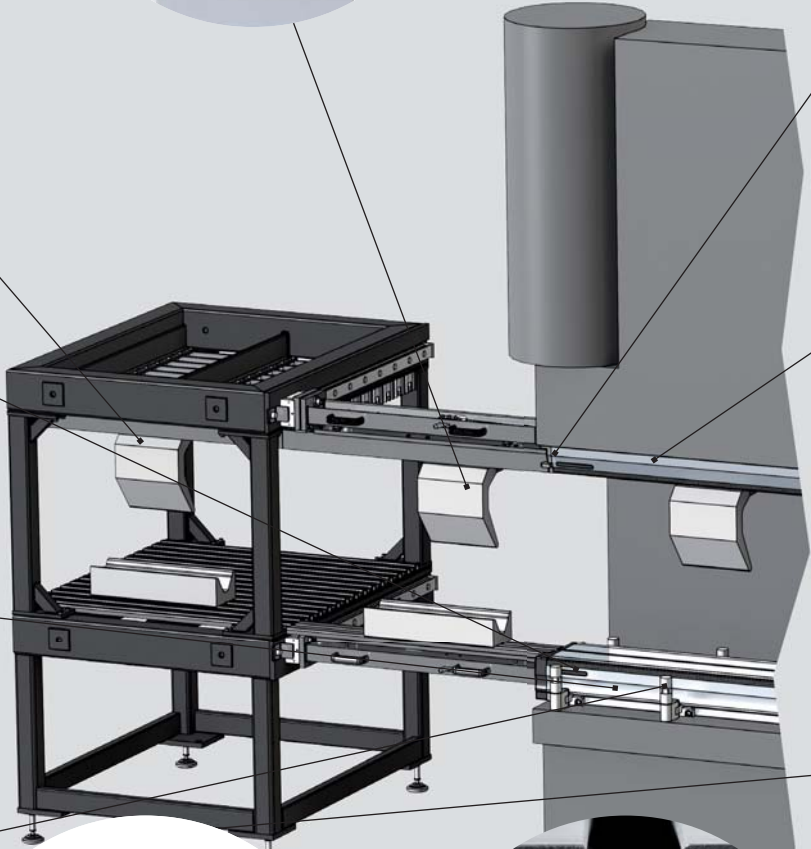
*"Gooseneck" shaped New Standard top tool with E2M<sup>®</sup> making it extremely easy & safe to exchange.*

*New Standard top tool with E2M<sup>®</sup>, making it extremely easy & safe to exchange.*



*NSCR-HD-II-HC-CNC-E2M-250/UPB Bottom Tool Holder with Crowning with a max tonnage of 800 tons/m. Suitable for all OZU bottom tools with and without E2M<sup>®</sup>.*

*NSCR-HD-II-HC-CNC-E2M-250/UPB is connected to the Press Brake with the UPB Universal Press Brake principal which makes it easy and fast to mount and align.*



*Pillars are optional and support wide bottom tools to guarantee a save bending process.*

*Tx alignment of the NSCR-HD-II-HC-CNC-E2M-250/UPB to adjust the center line.*

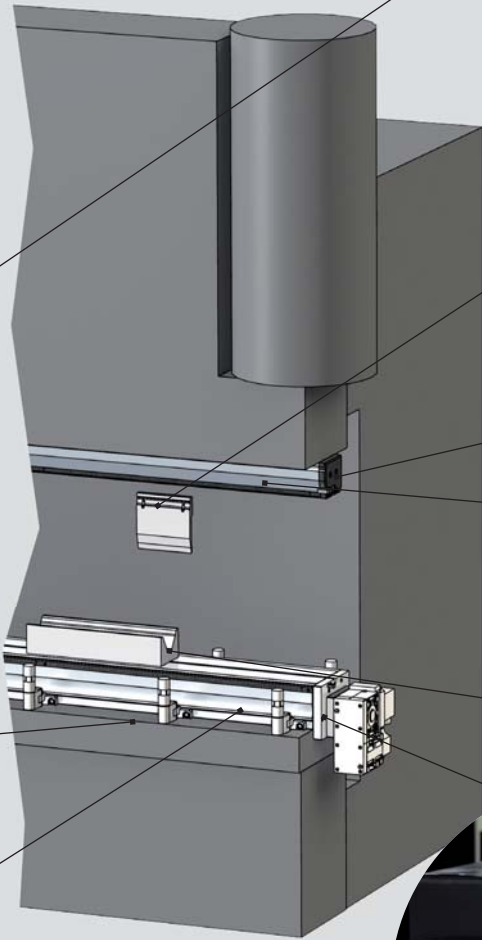
*Hydraulic Lifting mechanism which makes it easy, safe, and much faster to move bottom tooling with E2M<sup>®</sup> bearings in and out.*

## NEW STANDARD<sup>®</sup>

NSCL-HD-II-HC/UPB has a Guard with a safety mechanism for safe loading and unloading of upper tools with E2M<sup>®</sup> bearings. In combination with the Press Brake Productivity ToolStation the movable arm of the ToolStation will lock and unlock the Guard.

NSCL-HD-II-HC/UPB is connected to the Press Brake with the UPB Universal Press Brake principal which makes it easy and fast to mount and align.

All New Standard BIU top tools can be used in HD 'Heavy Duty' Tool Holder.



NSCL-HD-II-HC/UPB has max allowable tonnage of 800 tons/m with a New Standard Adaptation for New Standard Tooling with E2M<sup>®</sup>, Safety-Clicks<sup>®</sup> or Safety pins.



NSCL-HD-II-HC/UPB has a guard with a safety mechanism for safe loading and unloading of upper tools with E2M<sup>®</sup> bearings.

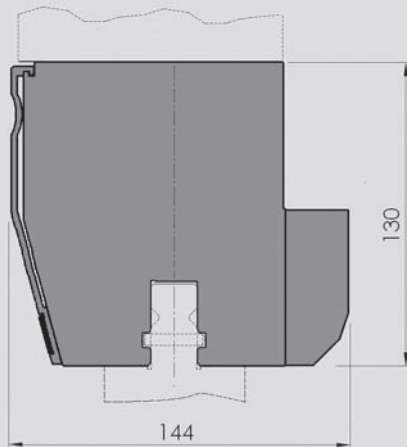


NSCR-HD-II-HC-CNC-E2M-250/UPB has a Guard with a safety mechanism for safe loading and unloading of bottom tools with E2M<sup>®</sup> bearings.



Bottom tool with E2M<sup>®</sup> bearings for fast, easy and safe moving.

**NSCL-HD-II-HC/UPB**



**NEW STANDARD 'HD' HEAVY DUTY CLAMPING**

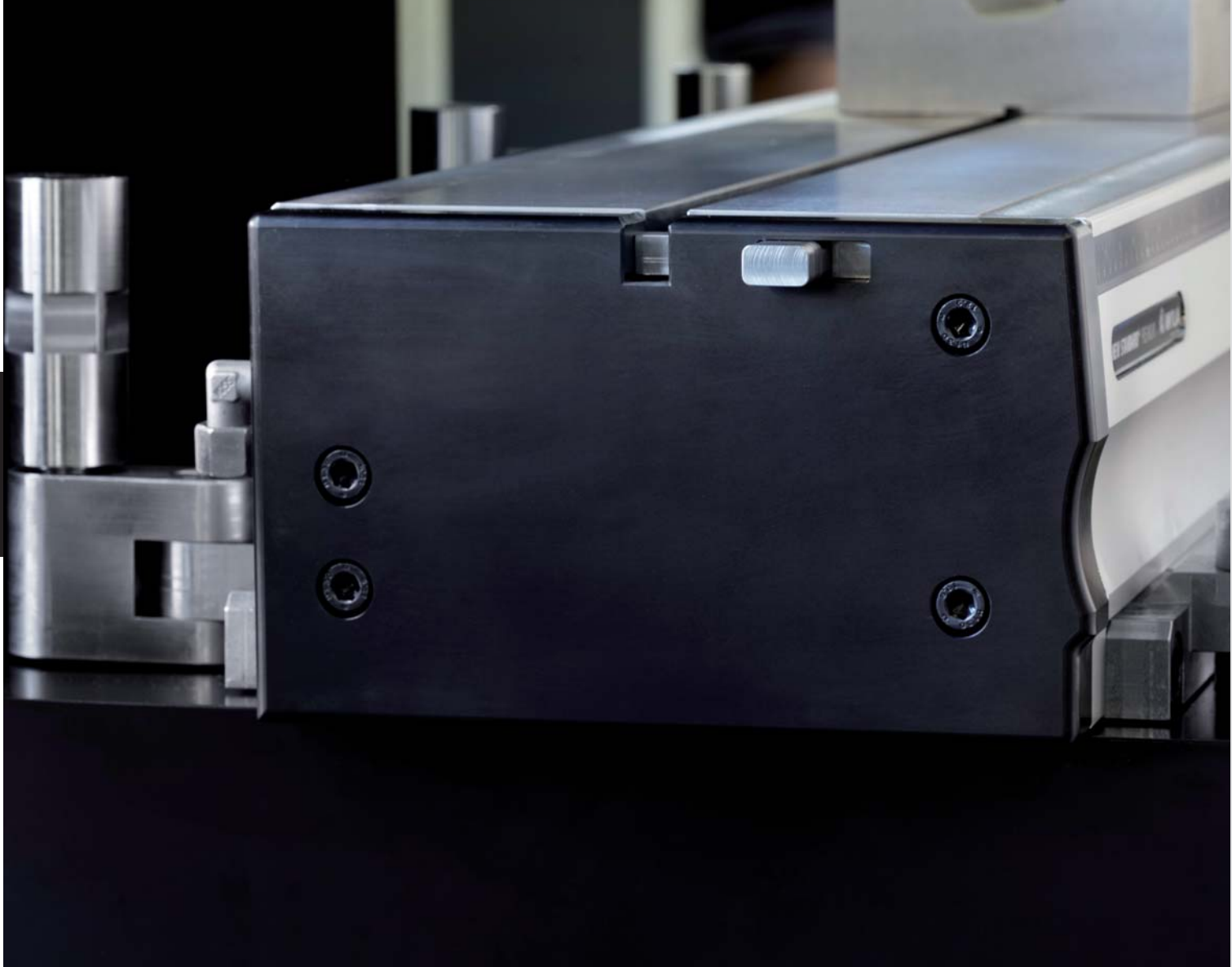
	<b>TYPE</b>	<b>PREMIUM</b>
<b>Standard</b>		
Upper tool holder	NSCL	•
CNC-Deepphardened surfaces	II	•
Hydraulic clamping and alignment of New Standard BIUs $\geq 40$ mm up to a maximum weight of 1000 kg/m	HC	•
Equipped with the New Standard UPB fastening system for NSCL-HD	UPB	•
Tx adjustment for optimum center line correction		•
Maximum load, head load or shoulder load respectively	HD	250/800 T/Mtr
Cover strip with ruler		•
Guard E2M <sup>®</sup> , guard is equipped with a roll-out safety device		•
<b>Optional</b>		
Guard E2M <sup>®</sup> -TS, this guard is equipped with a roll-out safety device that is operated by the ToolStation transport arm		•





**UPPER TOOL  
HOLDERS**

**NEW STANDARD®**

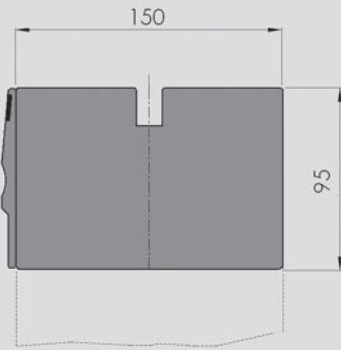


**NEW STANDARD 'HD' HEAVY DUTY BOTTOM TOOL HOLDERS AND CROWNING**

	<b>TYPE</b>	<b>PREMIUM</b>	<b>PRO</b>
<b>Standard</b>			
Lower tool holders	OB	•	•
CNC-Dee-phardened surfaces	II / I	•	
Hydraulic clamping and alignment	HC	•	•
Equipped with the New Standard UPB fastening system for NSCL-HD	UPB	•	•
Tx adjustment for optimum centerline correction		•	•
Suitable for clamping OZU bottom tool with adaption 13 x 17 L ≥ 40 mm		•	•
Maximum Load	HD	800 T/meter	500 T/meter
Cover strip with ruler		alu	black
Guard		•	
<b>Optional</b>			
Manual clamping and alignment (E2M® not possible).	MC		•
Equipped with centrally adjustable crowning system		•	•
CNC driven motor for up to 4000 kg tooling weight; above 4000 kg weight requires hydraulic adjustment	CNC	•	•
Hydraulic Lifting for OZU-E2M max 1000 kg/m including Guard E2M® equipped with roll-out safety	E2M	•	•
B2 adaption mounting to lower beam instead of UPB bolt-down	B2	•	•
Ty adjustment for optimum parallelism of the top and bottom beam; not possible if the tool holder exceeds 150 mm in width.	Ty	•	•
Guard E2M equipped with roll-out safety device		•	•
Guard E2M equipped with roll-out safety device operated by the transport arm on the Press Brake Productivity ToolStation		•	•
Suitable for clamping 4-way dies		•	•
Pillars for supporting the lower tooling		•	•
Guard			•

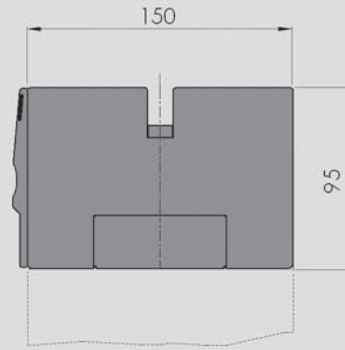
**OB-HD-I-HC/UPB**

**OB-HD-II-HC/UPB**



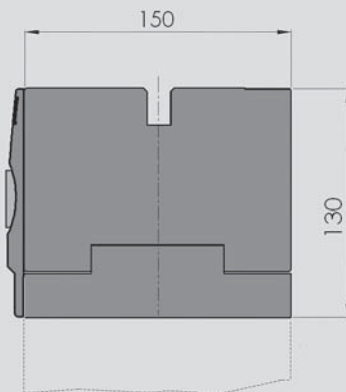
**OB-HD-I-HC-E2M/UPB**

**OB-HD-II-HC-E2M/UPB**



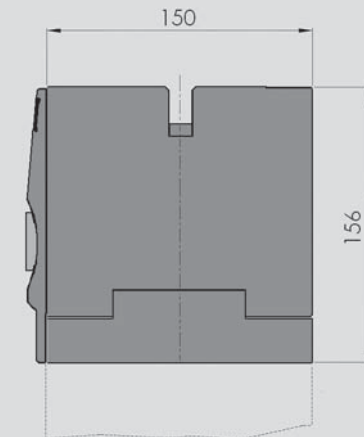
**OB-HD-I-HC-TY/UPB**

**OB-HD-II-HC-TY/UPB**



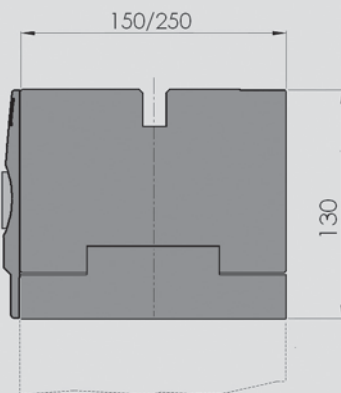
**OB-HD-I-HC-TY-E2M/UPB**

**OB-HD-II-HC-TY-E2M/UPB**



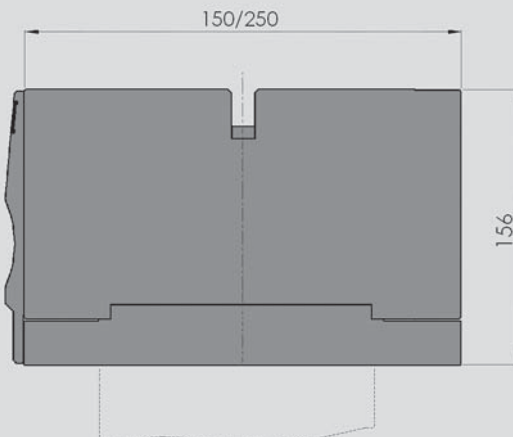
**NSCR-HD-I-HC-CNC-TY/UPB**

**NSCR-HD-II-HC-CNC-TY/UPB**

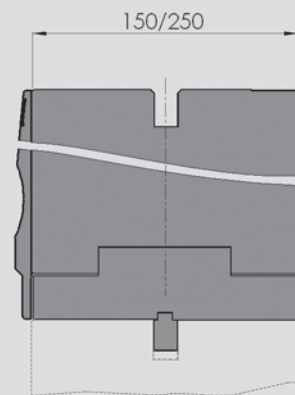


**NSCR-HD-I-HC-CNC-E2M/UPB**

**NSCR-HD-II-HC-CNC-E2M/UPB**



**Example with B2 adaption**





Hydraulic Power Pack HM14 and HM15.

**HYDRAULIC POWER PACK** FOR USE IN COMBINATION WITH CROWNING OR BOTTOM TOOL HOLDERS WITH E2M®

TYPE	REMARKS	PRICE
HM14-400-H-R	Manual operation <sup>1)</sup> , 400V-50Hz-3Ph	
HM14-400-C	Linked to the CNC control, 400V-50Hz-3Ph	
HM15-460/230-H-R dual voltage	Manual operation <sup>1)</sup> , 230/460V-60Hz-3Ph, supplied at 460V	
HM15-460/230-C dual voltage	Linked to the CNC control, 230/460V-60Hz-3Ph; supplied at 460V	
HM15-230/460-H-R dual voltage	Manual operation <sup>1)</sup> , 230/460V-60Hz-3Ph, supplied at 230V	
HM15-230/460-C dual voltage	Linked to the CNC control, 230/460V-60Hz-3Ph; supplied at 230V	
Extra hydraulic hose	Hose L=2.5 meter equipped with straight fitting and T-connection for bottom Clamping if necessary	

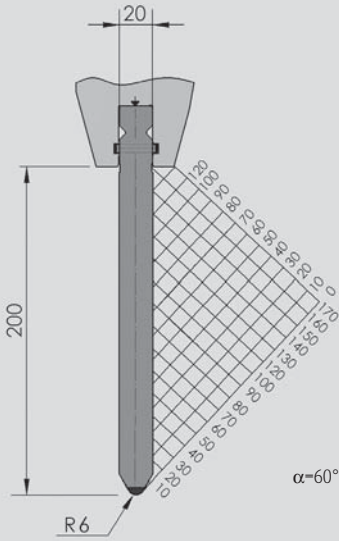
**Comments**

- 1) Will be supplied with a three way switch to separately operate the hydraulic Lifting and hydraulic Clamping functions
- 2) These Hydraulic Power Packs have a  $\varnothing$  10 mm connection and are supplied with two hoses of 2.5 meters length
- 3) The Hydraulic Power Packs with dual voltage have been especially developed for the North American market
- 4) If only Clamping is required and no Lifting, the Hydraulic Power Packs from page 21 of our Press Brake Productivity Catalog can be used



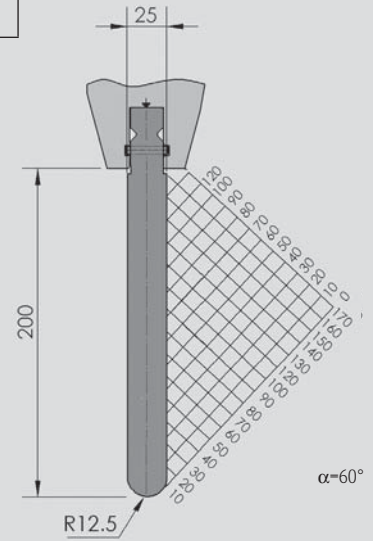
**BIU-037**

**BIU-E2M-037**



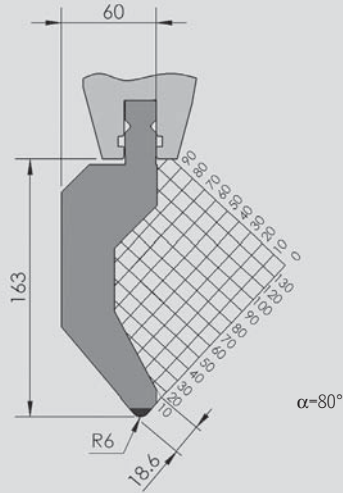
**BIU-038**

**BIU-E2M-038**



**BIU-025**

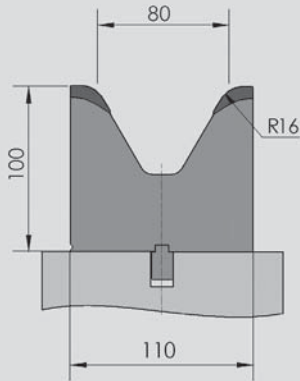
**BIU-E2M-025**



TYPE	PREMIUM	LENGTH	WEIGHT	E2M®	SAFETY-CLICK®	SAFETY-PIN	MAX LOAD	PRICE
<b>Standard</b>			<b>KG</b>					
BIU-037/1	●	515 mm	18.8			●	160 T/Mtr.	
BIU-037/2	●	550 mm - sectioned	20.1		●			
BIU-037/3	●	200 mm - sectioned	7.3		●			
BIU-037/6	●	200 mm	7.3		●			
BIU-038/1	●	515 mm	18.9			●	225 T/Mtr.	
BIU-038/2	●	550 mm - sectioned	20.2		●			
BIU-038/3	●	200 mm - sectioned	7.4		●			
BIU-038/6	●	200 mm	7.4		●			
BIU-025/1	●	515 mm	27.7			●	130 T/Mtr.	
BIU-025/2	●	550 mm - sectioned	29.6		●			
BIU-025/3	●	200 mm - sectioned	10.8		●			
BIU-025/6	●	200 mm	10.8		●			
<b>Optional</b>								
Above BIU's /1 and /6				●				

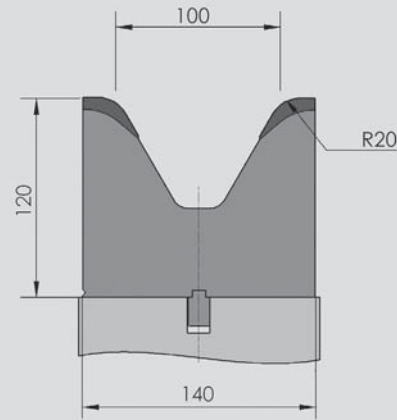
**OZU-372**  
**OZU-E2M-372**

V=80 mm  
 $\alpha=60^\circ$



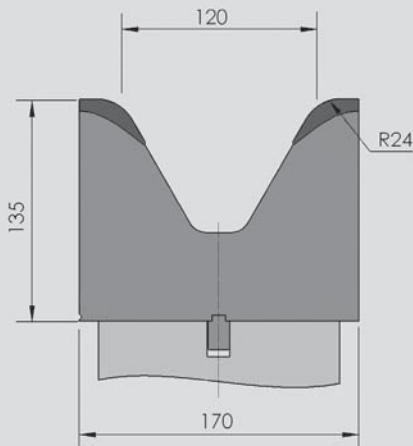
**OZU-373**  
**OZU-E2M-373**

V=100 mm  
 $\alpha=60^\circ$



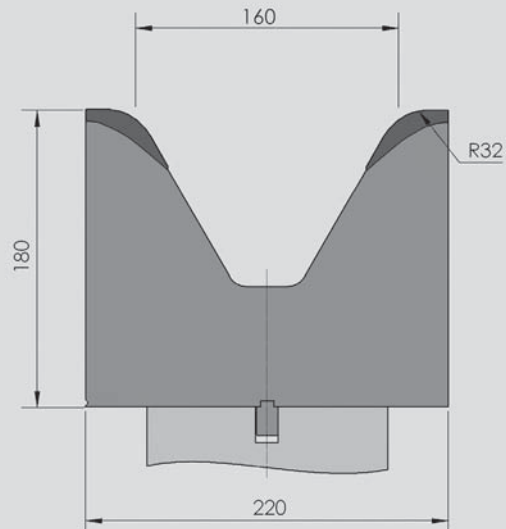
**OZU-HD-374**  
**OZU-HD-E2M-374**

V=120 mm  
 $\alpha=60^\circ$



**OZU-HD-375**  
**OZU-HD-E2M-375**

V=160 mm  
 $\alpha=60^\circ$



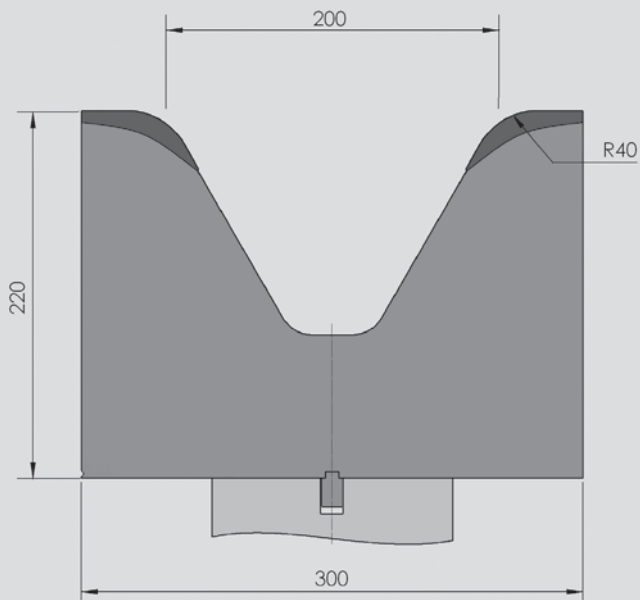
TYPE	PREMIUM	LENGTH	WEIGHT	E2M®	MAX LOAD	PRICE
<b>Standard</b>						
OZU-372/1	●	515 mm	34.3		220 T/Mtr.	
OZU-372/12	●	255 mm	17.0		$\alpha=90^\circ$	
OZU-373/1	●	515 mm	51.7		250 T/Mtr.	
OZU-373/12	●	255 mm	25.6		$\alpha=90^\circ$	
OZU-HD-374/1	●	515 mm	69.1		270 T/Mtr.	
OZU-HD-374/12	●	255 mm	34.2		$\alpha=90^\circ$	
OZU-HD-375/1	●	515 mm	117.5		300 T/Mtr.	
OZU-HD-375/12	●	255 mm	58.2		$\alpha=90^\circ$	
OZU-HD-376/12	●	255 mm	98.9		350 T/Mtr.	
					$\alpha=90^\circ$	
<b>Optional</b>						
Above OZU's				●		

Note: All OZU-HD, having a V-opening of  $\geq 120$  mm, come with 2 threaded holes to suit eye bolts; this allows safe & easy transportation, using the LA-E2M®

OZU-HD-376

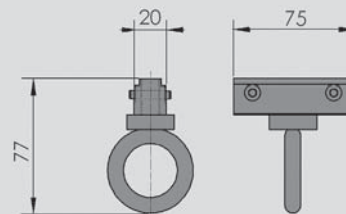
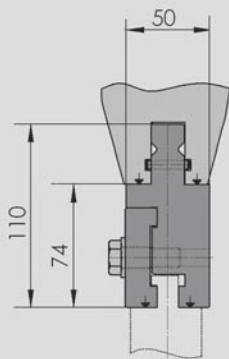
OZU-HD-E2M-376

V=200 mm  
α=60°



TSU-033

LA-E2M



TYPE	LENGTH	WEIGHT KG	MAX LOAD	REMARKS	PRICE
TSU-033/1*	515 mm	17.3	250 T/Mtr.	Adapter New Standard to American Style. Top with New Standard adaptation with safety pins. Bottom with American Style adaptation with clamping bolts.	
LA-E2M	L=75 mm	2.0	-	Allows easy lifting and moving heavy OZU bottom tools that are equipped with eye bolt holes within the press brake. Suitable for any NSCL Clamping System. Comes with E2M® as standard and lifts max 75 kg.	

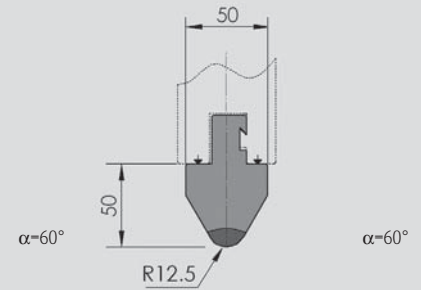
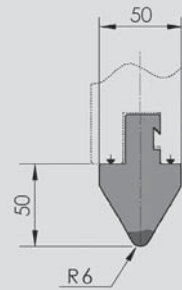
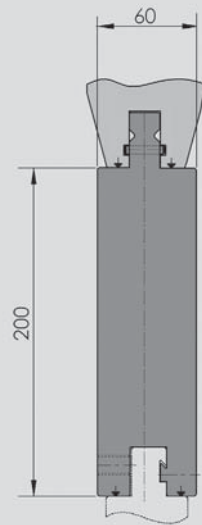
\* Optional with E2M®.

**HU-134**

**HU-E2M-134**

**RU-105**

**RU-106**



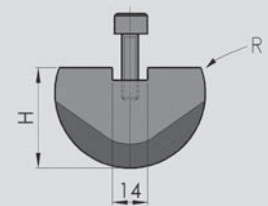
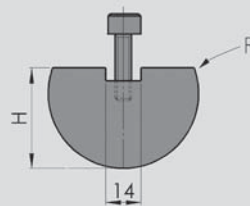
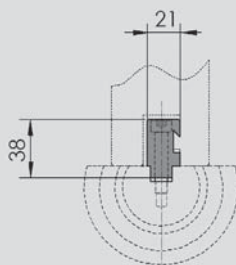
TYPE	LENGTH	WEIGHT	MAX LOAD	PRICE	REMARKS
		KG			
HU-134/1*	515 mm	49.7	500 T/Mtr.	.....	Holder for radius inserts RU-105 and RU-106 and holder HU-107. Top with New Standard adaptation with safety pins or with E2M® adaptation.
HU-E2M-134 /1*	515 mm	49.7	500 T/Mtr.	.....	
RU-105/1	515 mm	9.2	160 T/Mtr.	.....	Radius insert. To be used in combination with holder HU-134 or HU-E2M-134.
RU-106/1	515 mm	10.2	255 T/Mtr.	.....	Radius insert. To be used in combination with holder HU-134 or HU-E2M-134.

\* Optional with E2M®.

**HU-107**

**RU-007**

**RU-107**



TYPE	LENGTH	R	H	WEIGHT	MAX LOAD	PRICE	REMARKS
				KG			
HU-107/1	515 mm			3		.....	Holder suitable for radius inserts RU-007 and RU-107 to be used in combination with HU-134/HU-E2M-134.
RU-007/R=25/1	515 mm	25 mm	29 mm	6.1	200 T/Mtr.	.....	Radius inserts, not hardened. Radius 25 - 50 mm to be used in combination with holder type HU-107/1.
RU-007/R=30/1	515 mm	30 mm	34 mm	8.3		.....	
RU-007/R=40/1	515 mm	40 mm	45 mm	12.7		.....	
RU-007/R=50/1	515 mm	50 mm	54 mm	21.3		.....	
RU-107/R=25/1	515 mm	25 mm	29 mm	6.1	500 T/Mtr.	.....	Radius inserts, CNC-Deepharden. Radius 25 - 50 mm to be used in combination with holder type HU-107/1.
RU-107/R=30/1	515 mm	30 mm	34 mm	8.3		.....	
RU-107/R=40/1	515 mm	40 mm	45 mm	12.7		.....	
RU-107/R=50/1	515 mm	50 mm	54 mm	21.3		.....	

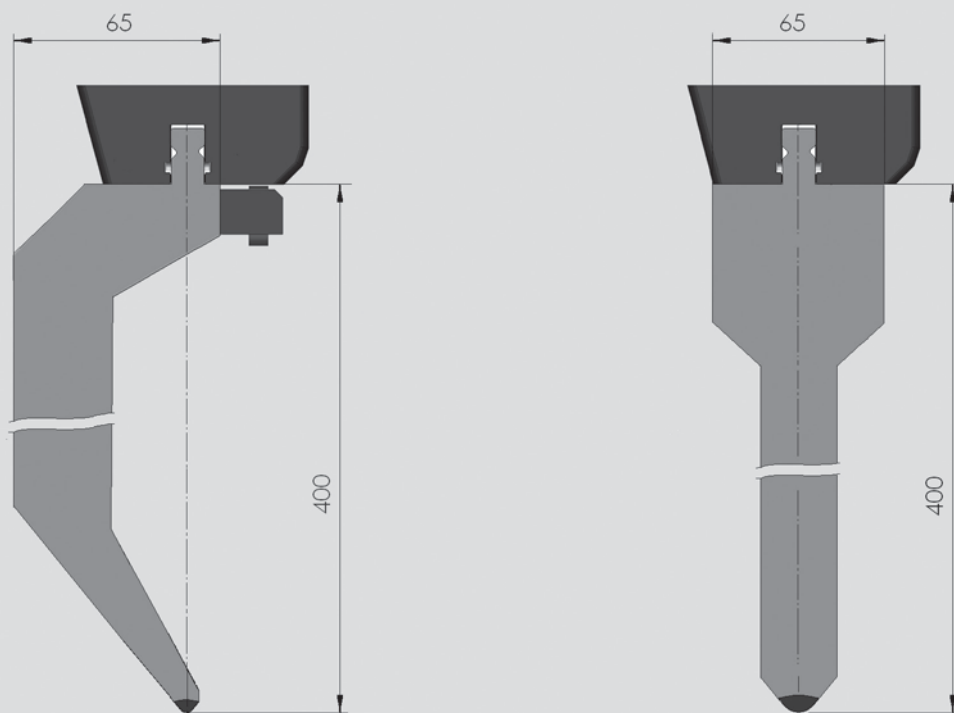


**TOOLING****CUSTOM MADE TOOLING**

Aside from the before mentioned standard tools and accessories, we can supply Custom Made tools which can be manufactured completely according to the customer's needs. These tools can be made in any of the tooling style executions and to the specific length required, as well as with different methods of hardening. These tools can be equipped with the E2M<sup>®</sup> bearing system.

It is also possible to segment the tools into the lengths desired by the Customer with a minimum of 40 mm, to allow, for example, the bending of box-shaped products.

For top tools it is possible to provide tooling sets including horn sections (sections with a cut-out to accommodate parts with a reverse flange).



## TOOLING

# PRESS BRAKE PRODUCTIVITY TOOLSTATION

The Press Brake Productivity ToolStation has been specifically designed to safely change and store heavy tooling.

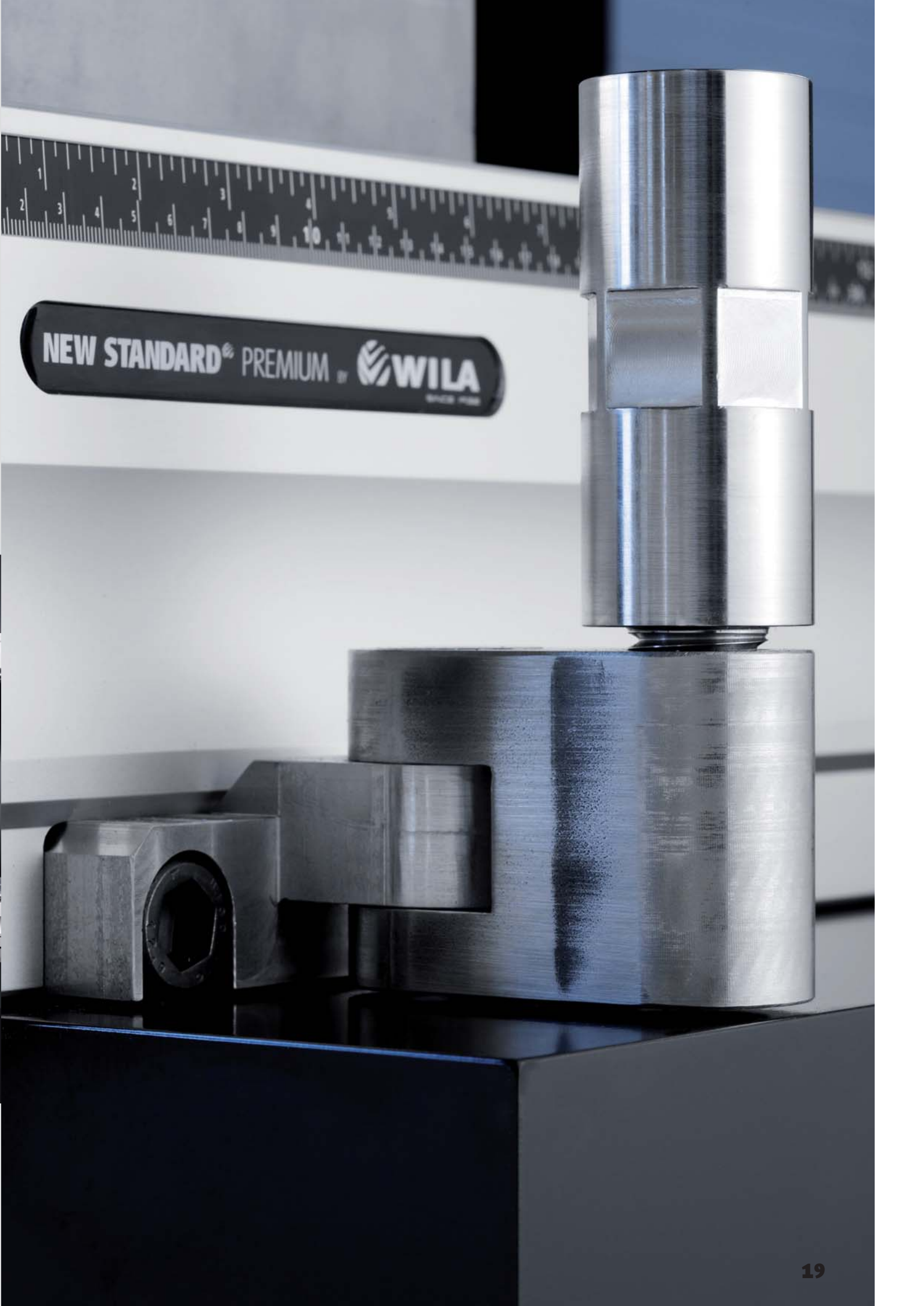
Tool changing and storage operates perfectly in combination with BIUs and OZUs equipped with E2M® bearings. The loading arm, on which the required tools are rolled back and forth, is attached to a heavy duty guide rail. This creates a very stiff and stable transfer arrangement that ensures perfect alignment between the loading arm and the upper and lower tool holders. This is needed in order to guarantee safety and convenience when moving the tooling from the loading arm into the press brake.

The Press Brake Productivity ToolStation can be supplied in 1-meter modules that can be connected to each other as required.

The Toolstation module is suitable for:

- Storage of up to 12 meters of upper tooling and 15 meters of lower tooling (2 tools of L = 515 mm behind each other)
- Maximum weight:
  - Upper tooling 200 kg/m
  - Lower tooling 300 kg/m
- Loading and unloading height for the lower tooling approximately 880 mm above the floor
- Loading and unloading height for the upper tooling approximately 1530 mm above the floor
- Equipped with 2 mobile loading and unloading arms, length approximately 1050 mm
- Loading and unloading possible at all storage positions
- Color black
- ToolStation dimensions approximately 1050 mm x 1050 mm (w x d)





NEW STANDARD<sup>®</sup> PREMIUM BY WILA  
SINCE 1958

**WILA B.V.**

P.O. box 60

NL-7240 AB Lochem

The Netherlands

Phone sales: +31 (0)573 28 98 50

Fax +31 (0)573 25 75 97

E-mail [info@wila.nl](mailto:info@wila.nl)

[www.wila.nl](http://www.wila.nl)

